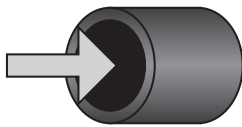


# ALLUXITY

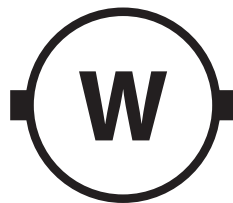
## Mono One

### Inputs



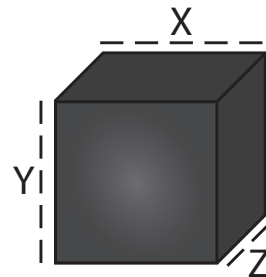
1 Balanced (XLR)  
1 Unbalanced (RCA)

### Power Rating



250W 8ohm RMS  
≈500W 4ohm RMS  
≈1000 2ohm RMS

### Dimensions



43.5 x 10.5 x 31.5 cm  
17.1 x 4.1 x 12.4 inch  
17.5kg / 38.5 pounds

The Mono One's is built upon the same topology as the Pre and Power, fully discrete balanced modules with zero global feedback and assembled with building blocks that make future upgrades or replacements affordable and easy to do. The chassis is milled out of one piece of aluminum and finished up with powder coat paint.

Each channel features a 600VA transformer and enough capacity to keep the music crisp and responsive during heavy transitions and high load.

There are 2 different inputs to choose from. 1 Balanced (XLR) and 1 Unbalanced (RCA).

The Power rating is 250W in 8ohm RMS that nearly doubles into 4ohm and 2ohm.

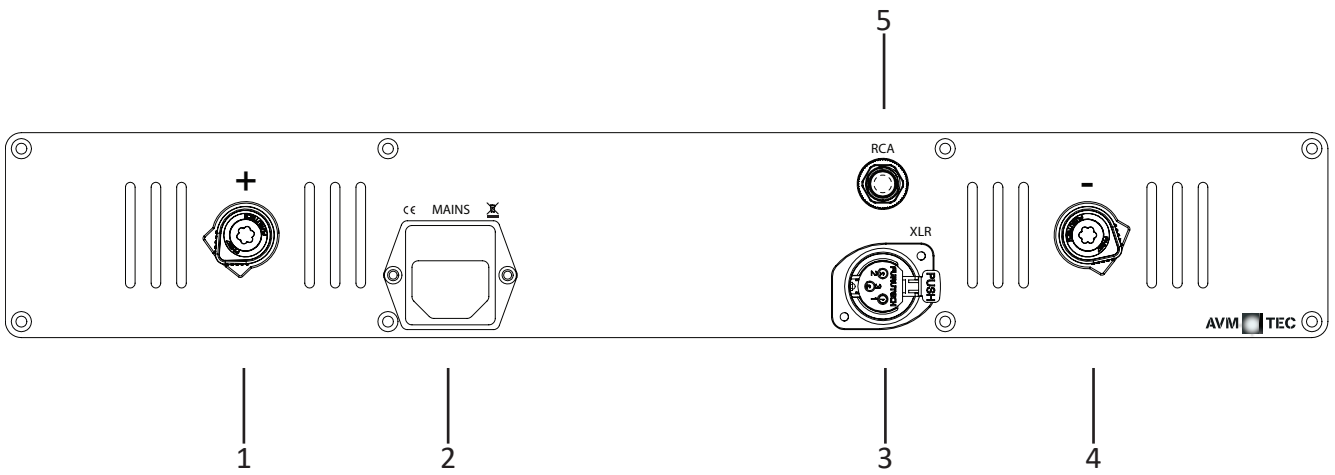
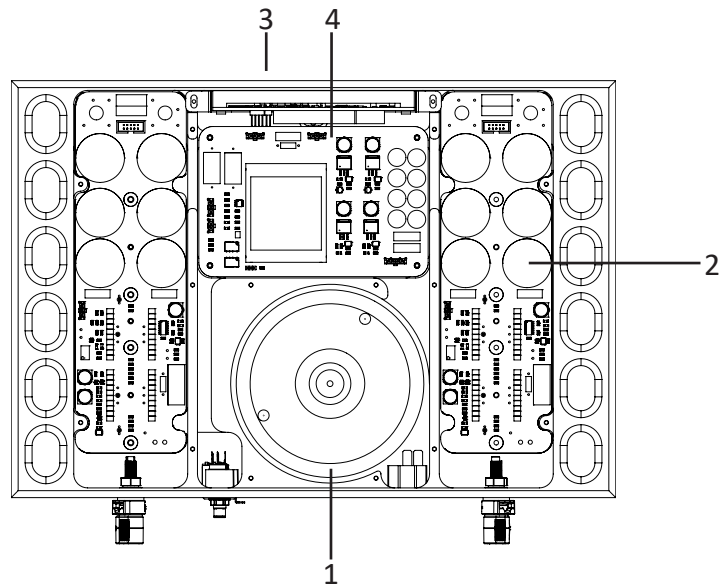
It's available in both Black, White, Titanium and Titanium Orange.  
Custom colors are available.



AVM-TEC, Duoddevej 6C, DK-7400 Herning, Denmark.  
Phone: +45 2763 6306, E-mail: [AVM@avm-tec.dk](mailto:AVM@avm-tec.dk), [www.alluxity.dk](http://www.alluxity.dk)

- 1. Transformers
- 2. Soundboard

- 3. Alluxity MCU
- 4. Slowstart and Logic board



- 1. Positive Speaker out
- 2. Power connector
- 3. Balanced input
- 4. Negative Speaker Out
- 5. Unbalanced input